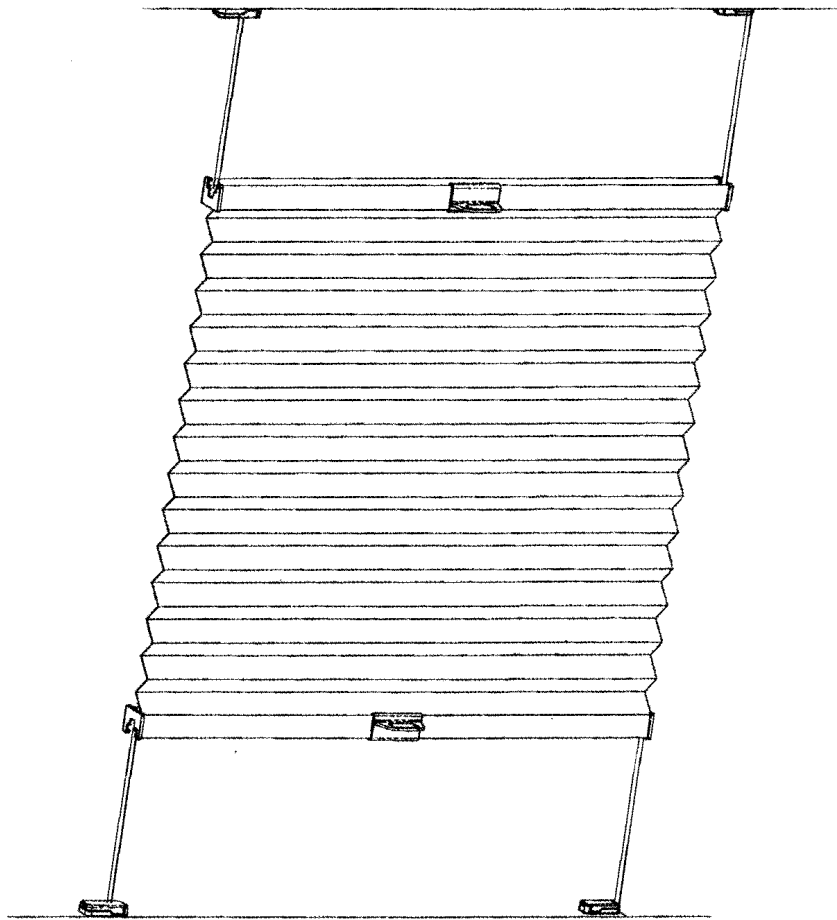
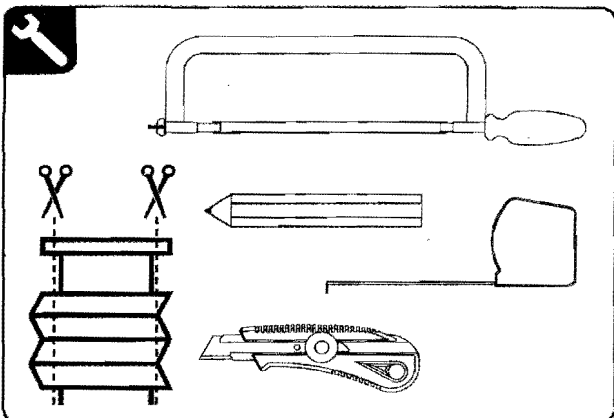
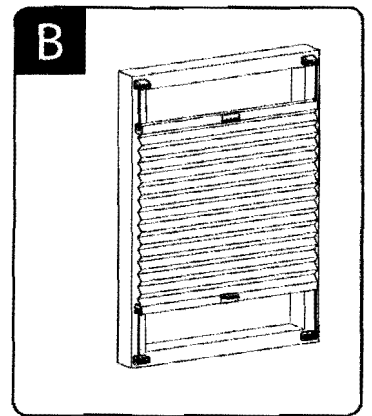
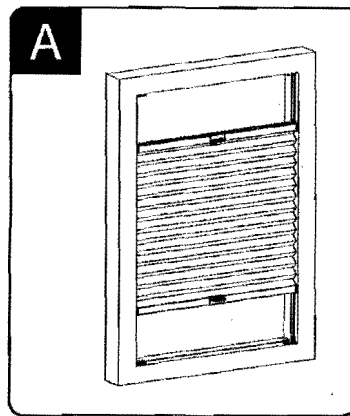
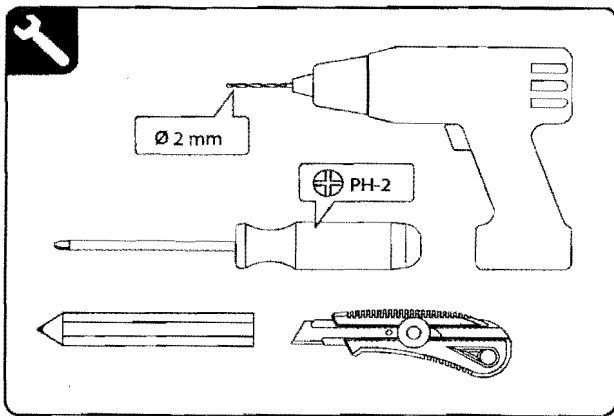
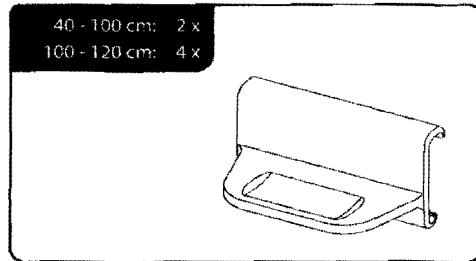
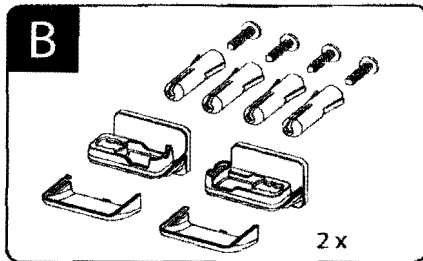
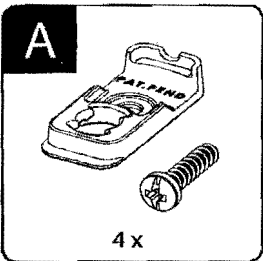
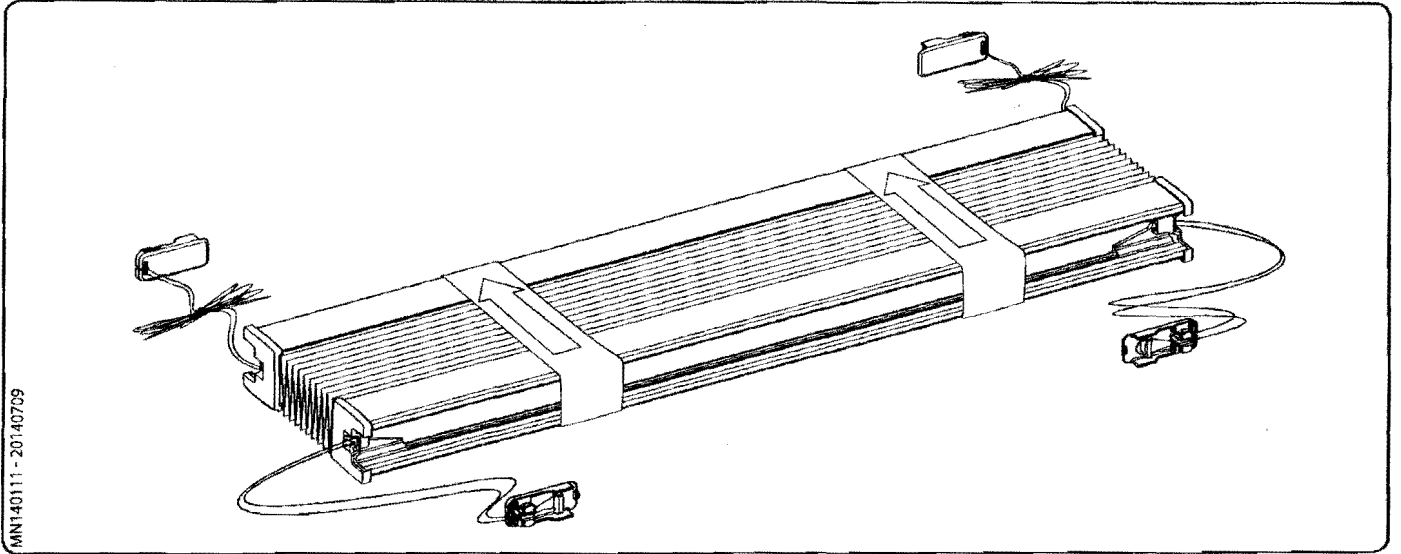
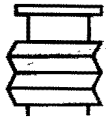
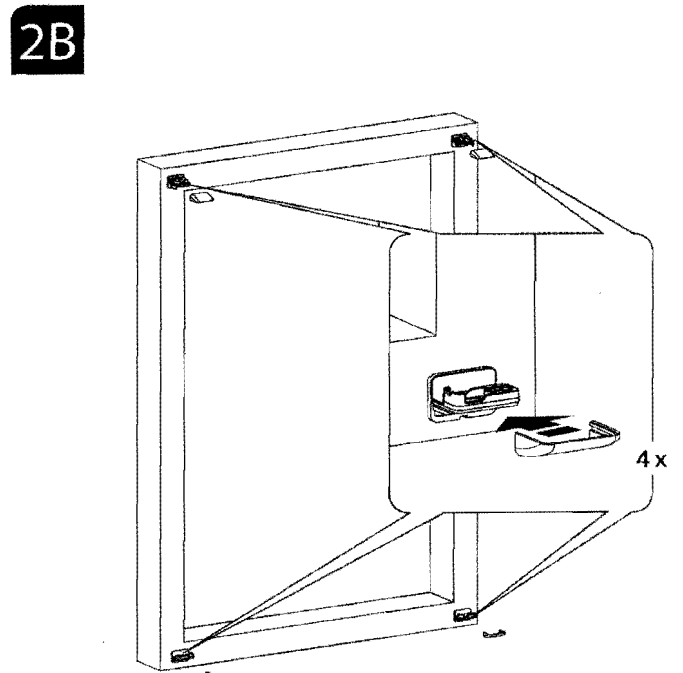
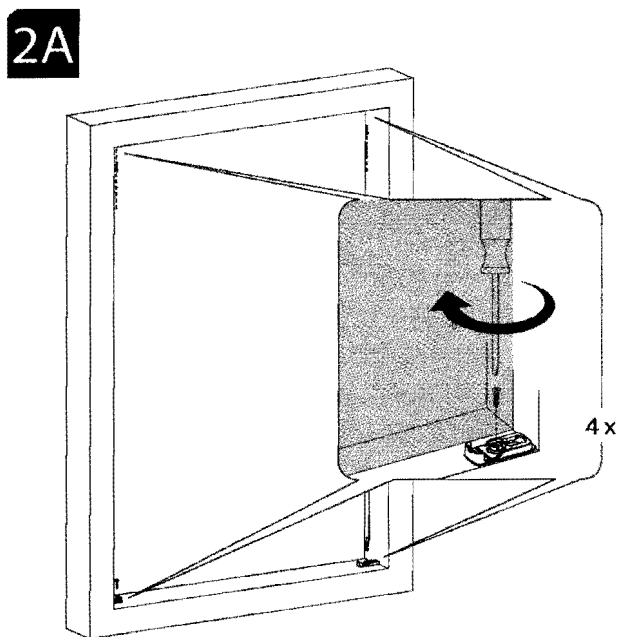
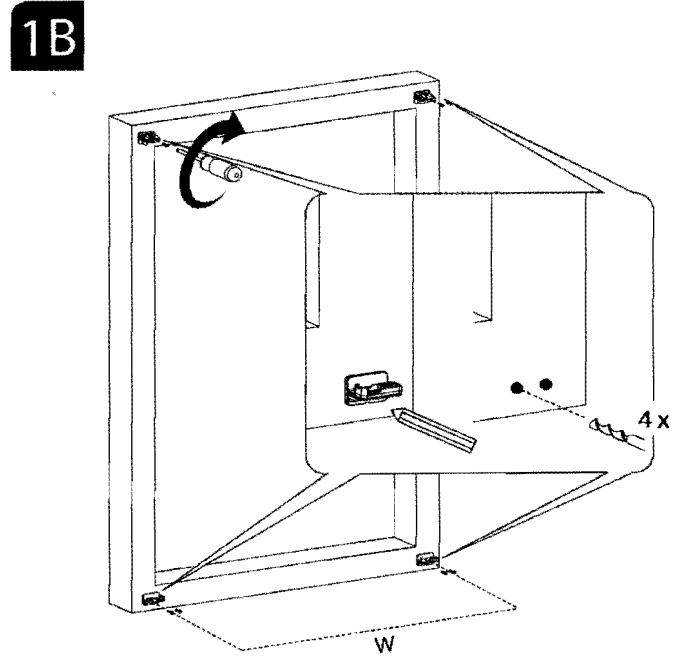
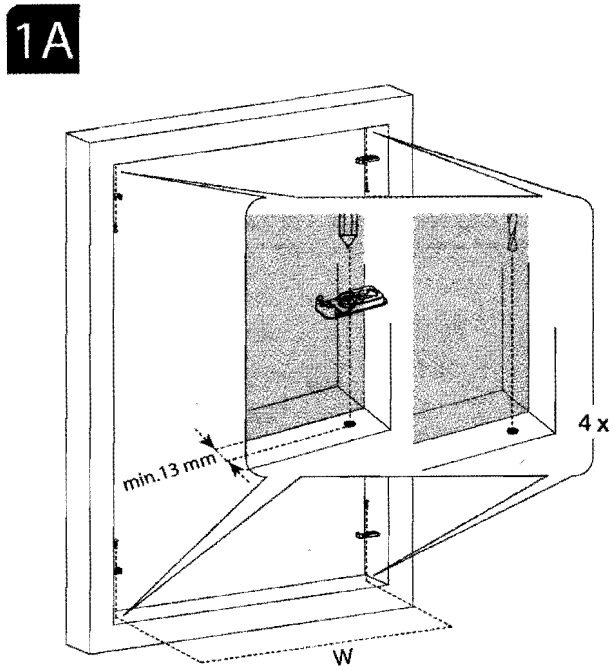
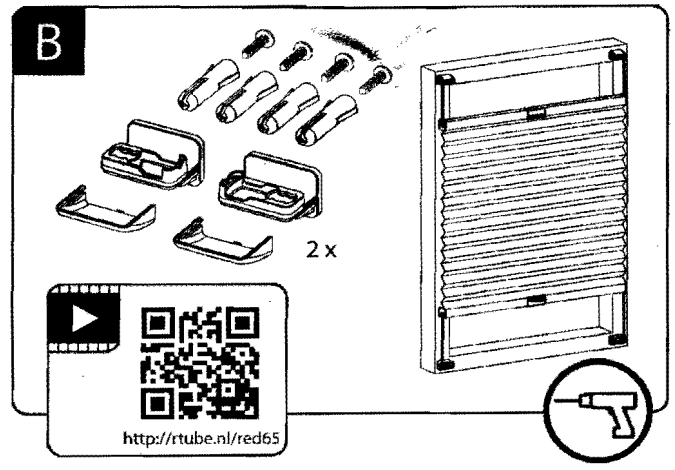
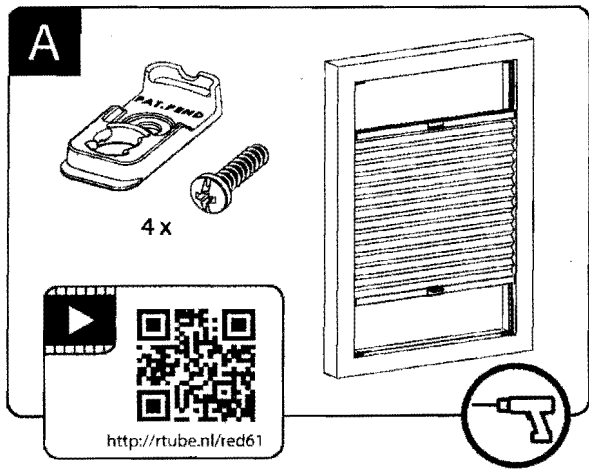


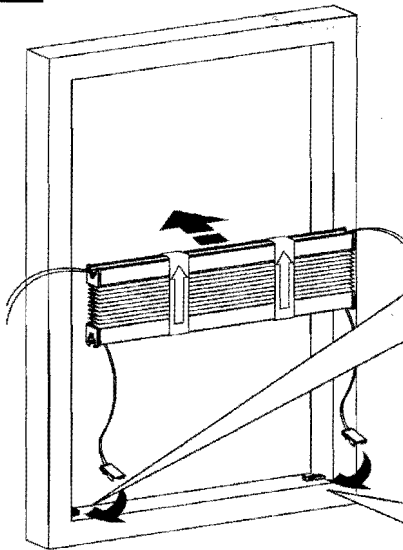
Pleated blind tensioned Up & Down



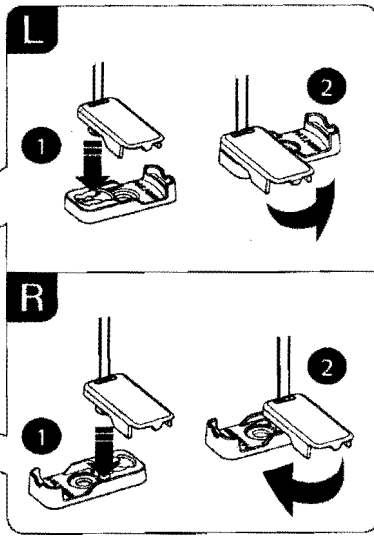
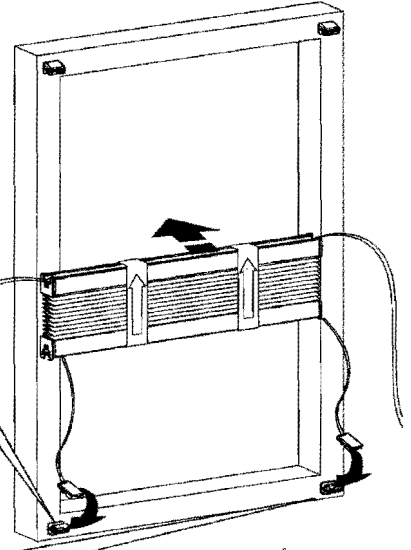




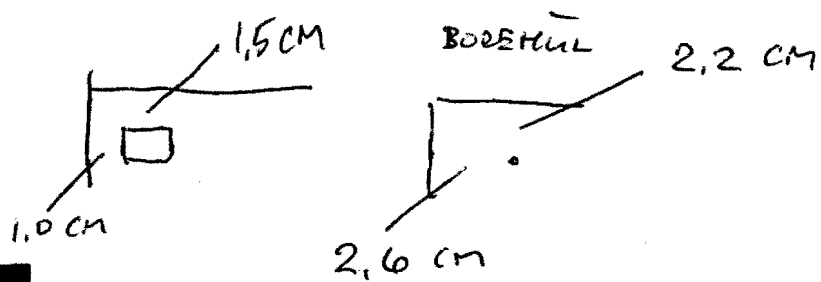
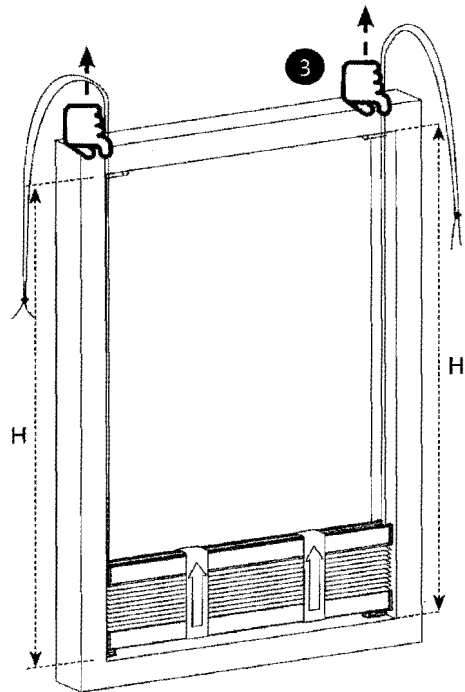
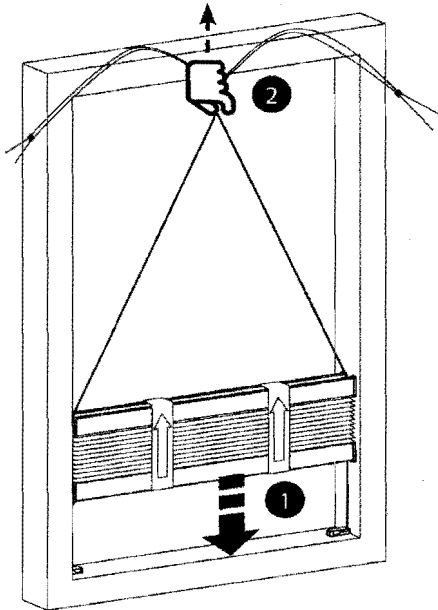
3A



3B

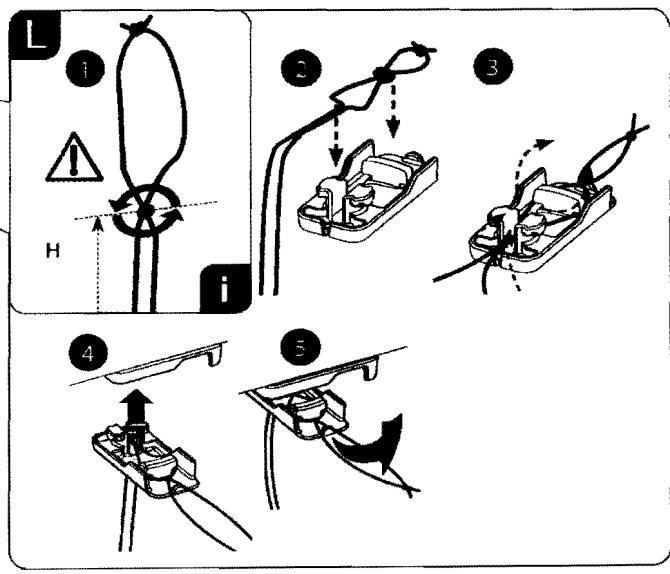
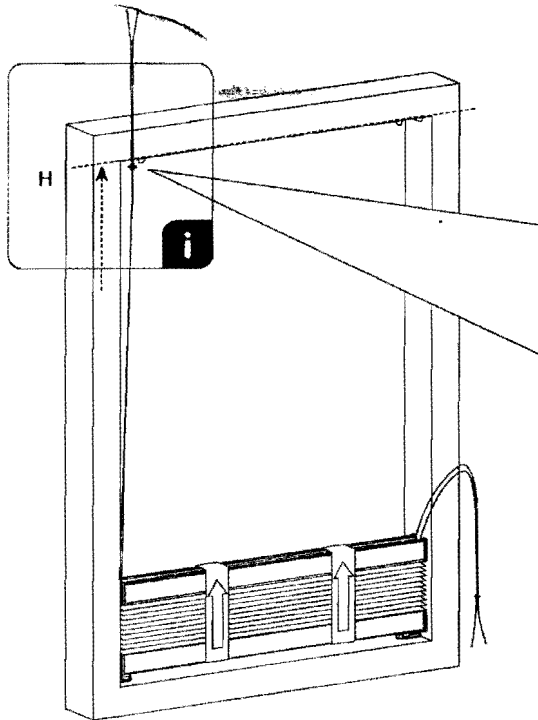


4

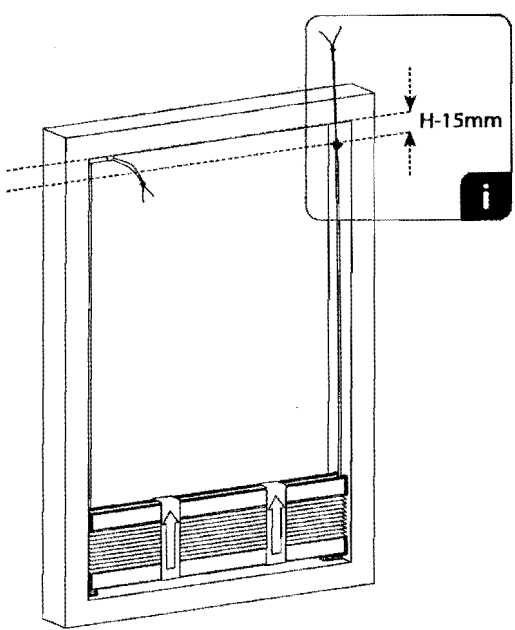


8

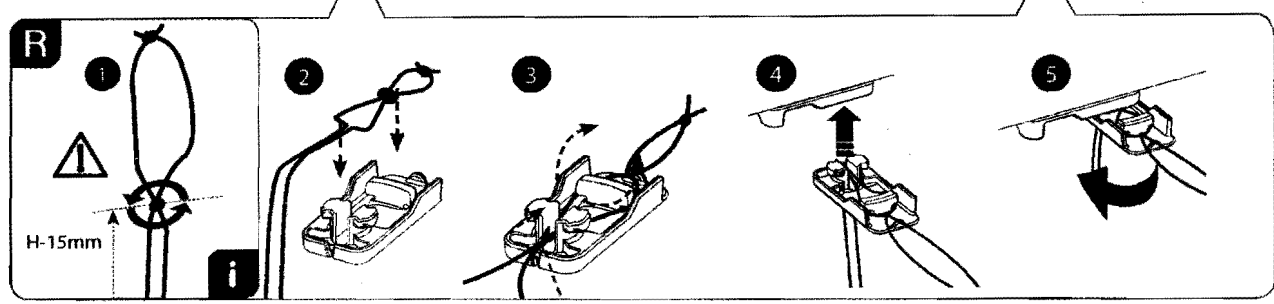
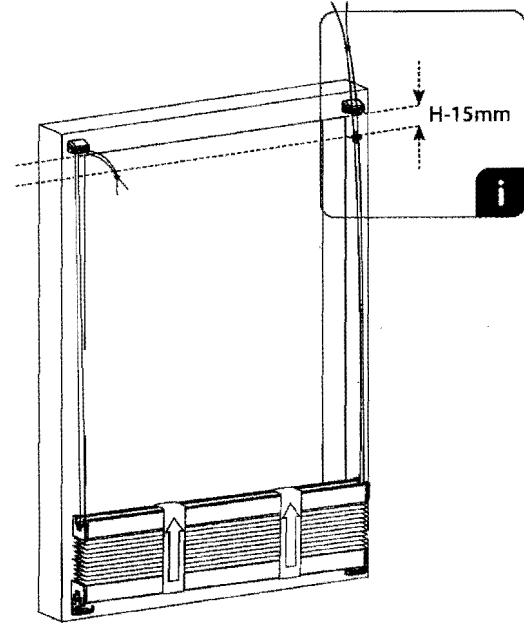
5



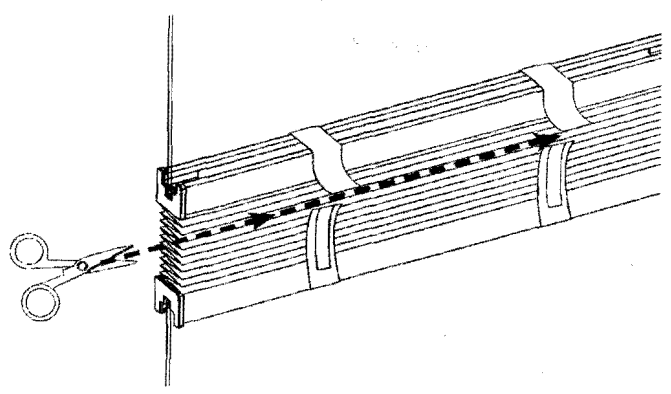
6A



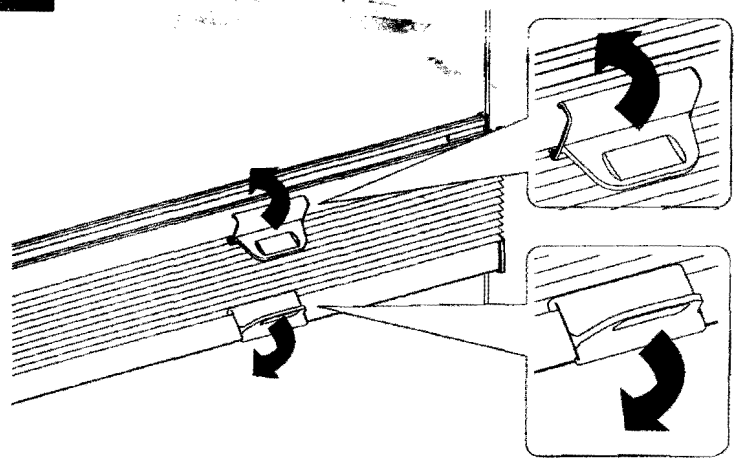
6B



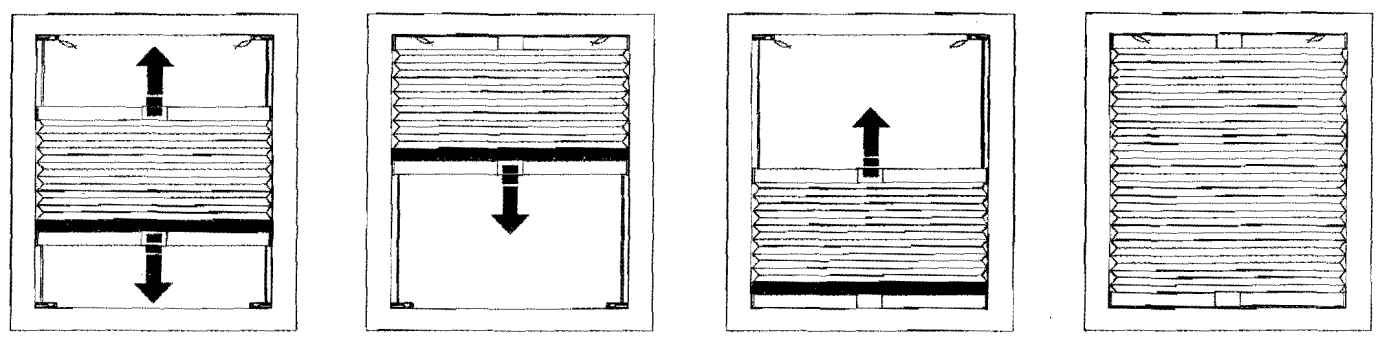
7



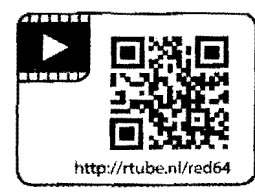
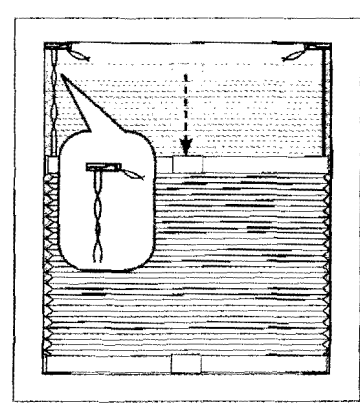
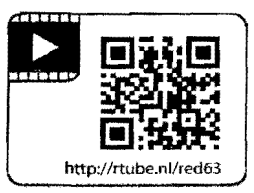
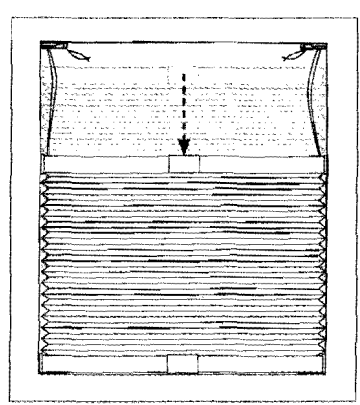
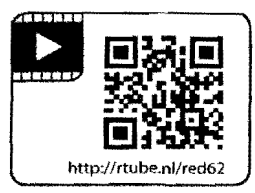
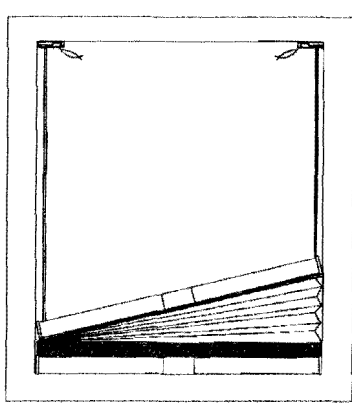
8

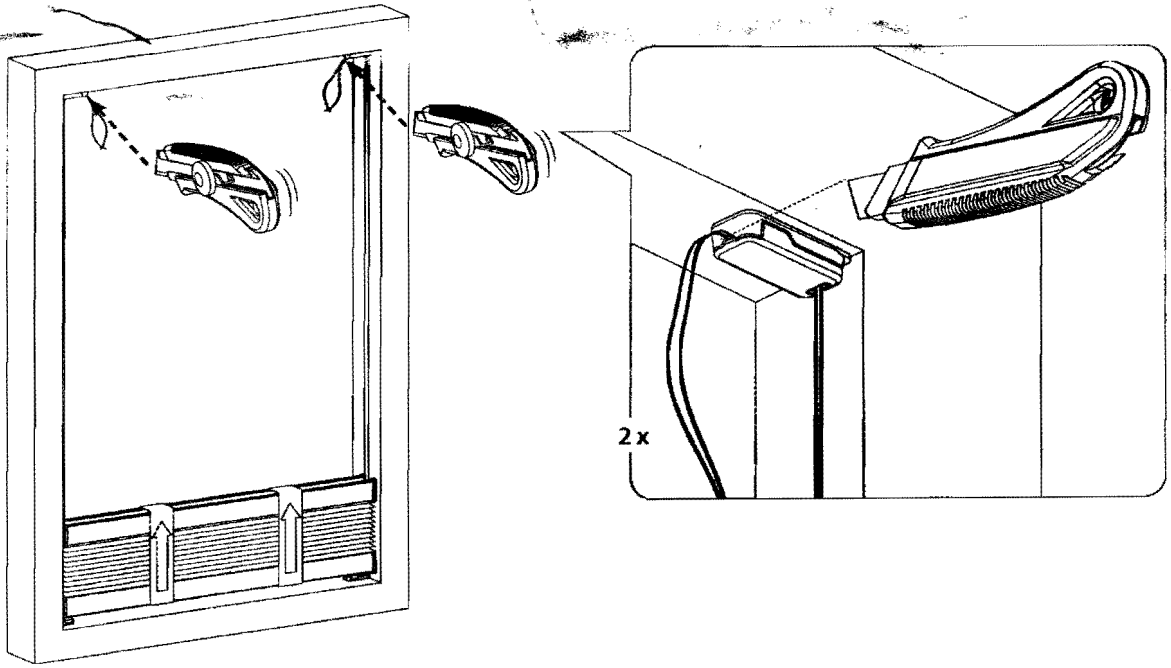


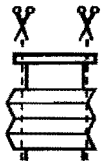
9



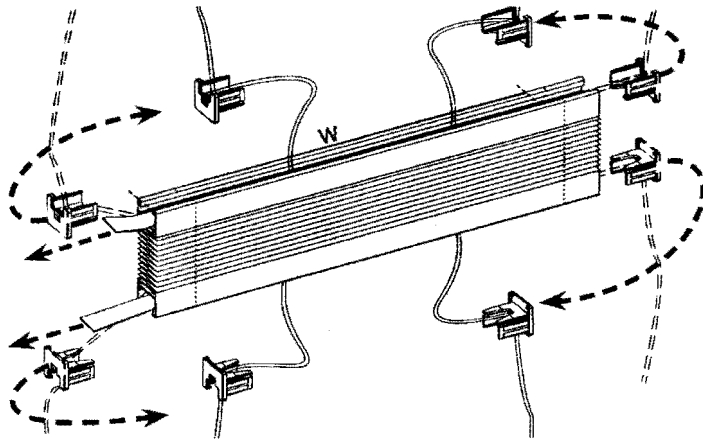
i Troubleshoot



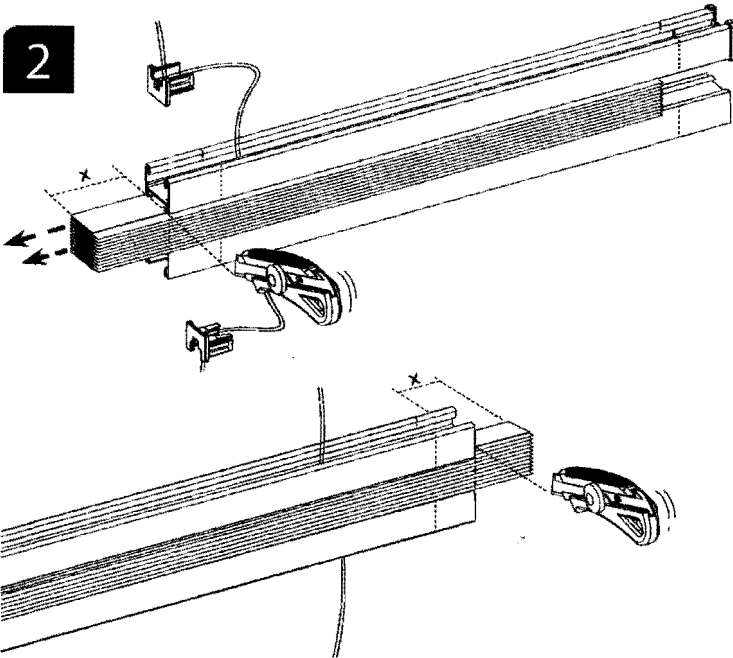




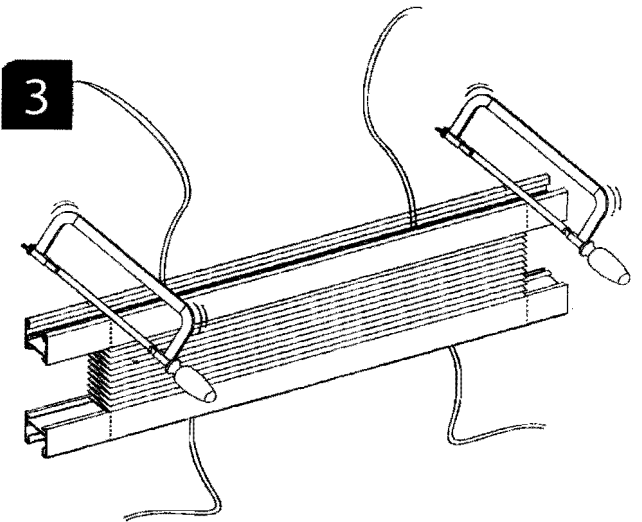
1



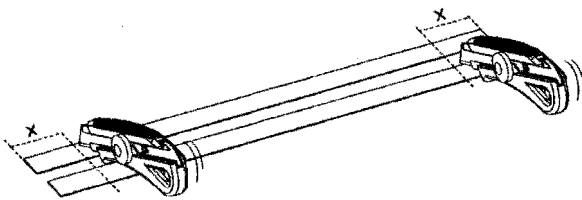
2



3



4



5

